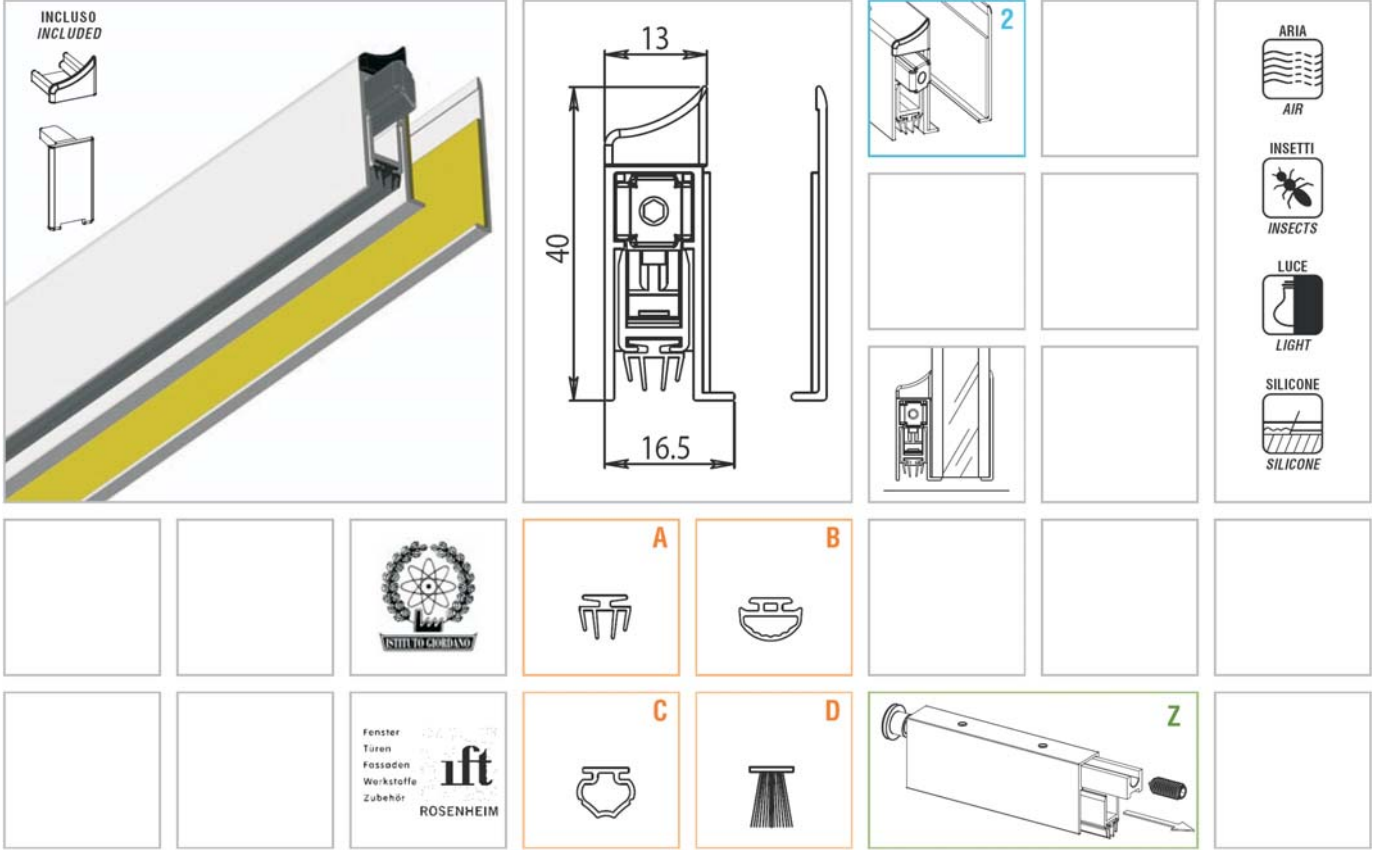


EASY



**CODE: ASGLA**

**APPLICATION:** Glass doors.

**LENGTHS:** 330 - 430 - 530 - 630 - 730 - 830 - 930 - 1030 - 1130 - 1230 - 1330 - 1430 - 1530 - 1630

**TRIMMING LENGTHS:** 150 mm side opposite plunger.

**FIXING TYPE:** With high-strength double-sided adhesive tape.

**PLUNGER AND ADJUSTMENT TYPE:** 2 - Nylon plunger for lock side operation, adjustable with a 3 mm

**SEALS:** A - 4 fins in coextruded self-extinguishing PVC.

B - Balloon in self-extinguishing silicone.

C - Coextruded tubular seal in self-extinguishing PVC or TPE.

D - Brush made of silicone oil-impregnated polypropylene.

**TECHNICAL CHARACTERISTICS:**

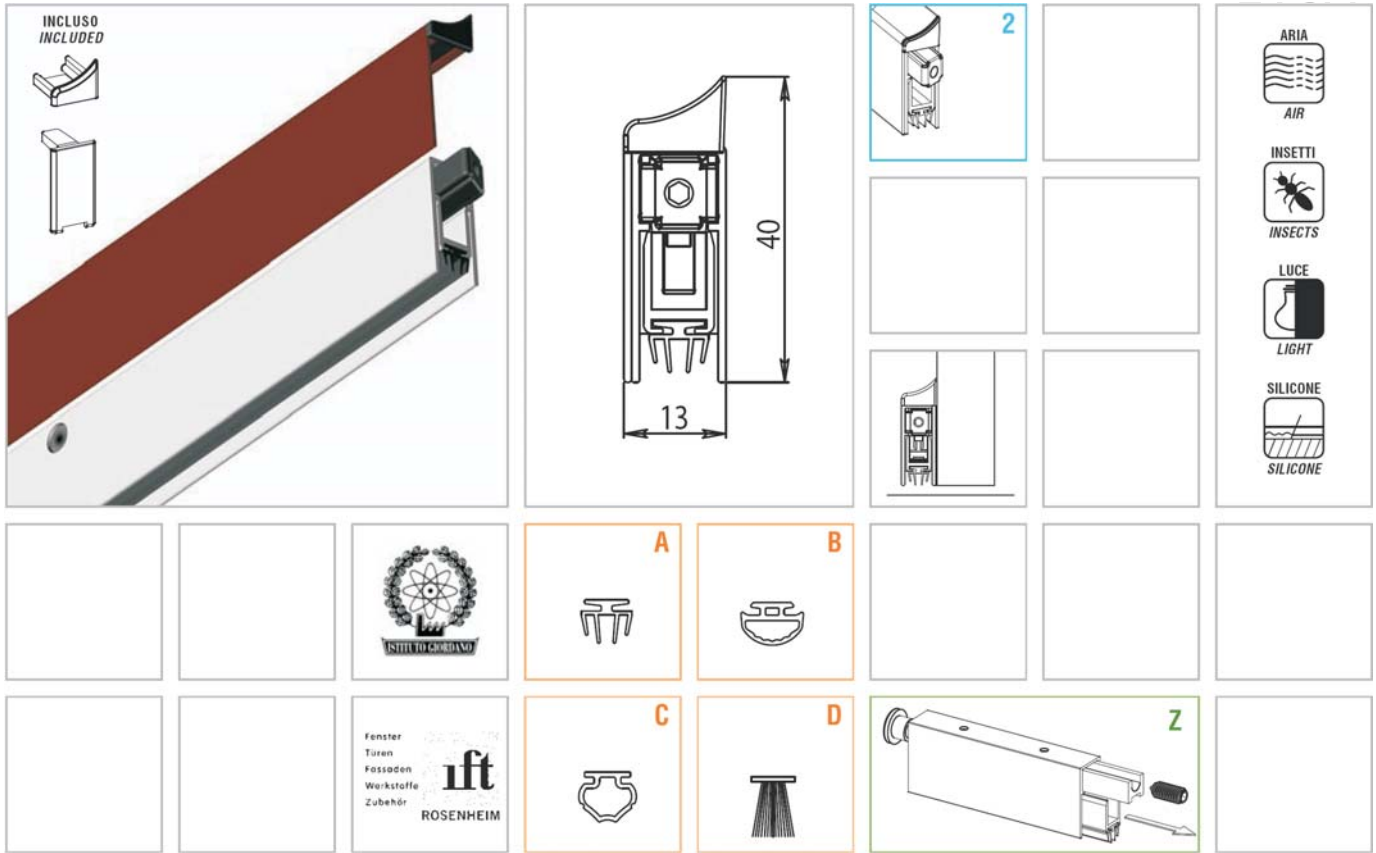
- Stainless steel effect profile finish.
- Graduated scissor action (seal drops on hinge side before lock side).
- 14 mm maximum drop.
- Galvanised steel flat springs and actuators in PA reinforced with 20% glassfibre.
- 6060 T6 aluminium alloy profiles.

**CERTIFICATIONS:** - Sound insulation of up to 37 dB certified by Istituto Giordano (Bellaria).

- Tested to 200,000 closing cycles by the IFT Rosenheim certification organisation.

**OPTIONAL:** Z - Mechanism removable from both hinge and lock sides (patented system).

1



 **CODE: ASAPP**

**APPLICATION:** All types of swing door.

**LENGTHS:** 330 - 430 - 530 - 630 - 730 - 830 - 930 - 1030 - 1130 - 1230 - 1330 - 1430 - 1530 - 1630 - 1730 - 1830 mm.

**TRIMMING LENGTHS:** 150 mm side opposite plunger.

**FIXING TYPE:** With screws (supplied).

**PLUNGER AND ADJUSTMENT TYPE:** **2** - Nylon plunger for lock side operation, adjustable with a 3 mm Allen wrench.

**SEALS:** **A** - 4 fins in coextruded self-extinguishing PVC.

**B** - Balloon in self-extinguishing silicone.

**C** - Coextruded tubular seal in self-extinguishing PVC or TPE.

**D** - Brush made of silicone oil-impregnated polypropylene.

**TECHNICAL CHARACTERISTICS:**

- Available in White (RAL 9010), Brown (RAL 8019). Other colours on request (minimum quantity orders).

- Graduated scissor action (seal drops on hinge side before lock side).

- 14 mm maximum drop.

- Galvanised steel flat springs and actuators in PA reinforced with 20% glassfibre.

- 6060 T6 aluminium alloy profiles.

**CERTIFICATIONS:** - Sound insulation of up to 37 dB certified by Istituto Giordano (Bellaria).

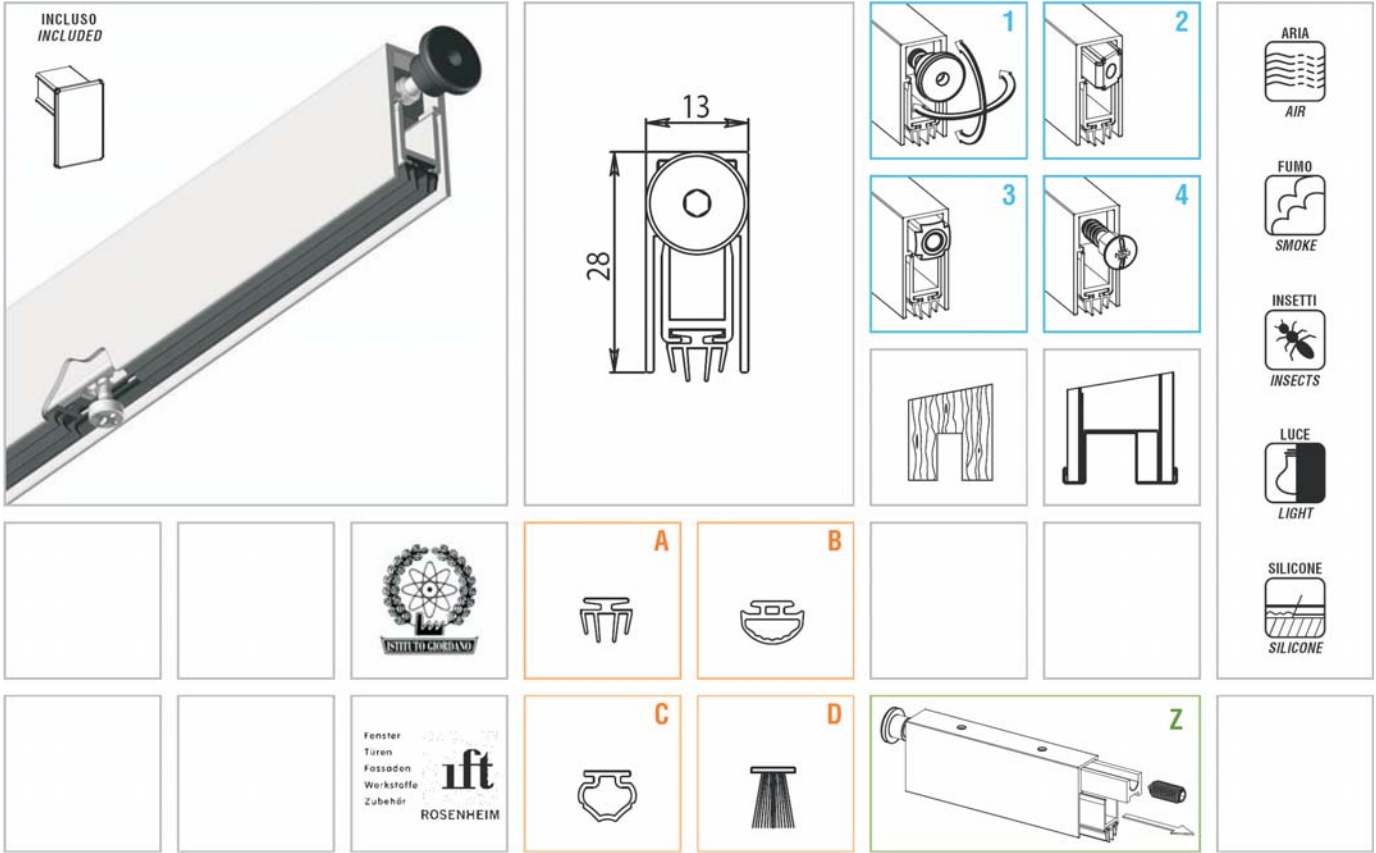
- Tested to 200,000 closing cycles by the IFT Rosenheim certification organisation.

**OPTIONAL:** **Z** - Mechanism removable from both hinge and lock sides (patented system).

2

SFILABLE

EASY



 **CODE: ASGSF**

**APPLICATION:** Timber doors, security doors.

**LENGTHS:** 330 - 430 - 530 - 630 - 730 - 830 - 930 - 1030 - 1130 - 1230 - 1330 - 1430 - 1530 - 1630 - 1730 - 1830 mm.

**TRIMMING LENGTHS:** 200 mm side opposite plunger.

**FIXING TYPE:** With preassembled woodscrews or self-tapping screws.

**PLUNGER AND ADJUSTMENT TYPE:** 1 - Self-directing articulated metal plunger with nylon cap, adjustable with a 3 mm Allen wrench.

2 - Nylon plunger for lock side operation, adjustable with a 3 mm Allen wrench.

3 - Square section nylon plunger, adjustable with a 3 mm Allen wrench.

4 - Steel plunger, adjustable with crosshead screwdriver, slotted screwdriver, and 6 mm spanner.

**SEALS:** A - 4 fins in coextruded self-extinguishing PVC.

B - Balloon in self-extinguishing silicone.

C - Coextruded tubular seal in self-extinguishing PVC or TPE.

D - Brush made of silicone oil-impregnated polypropylene.

**TECHNICAL CHARACTERISTICS:**

- Graduated scissor action (seal drops on hinge side before lock side).

- 14 mm maximum drop.

- Galvanised steel flat springs and actuators in PA reinforced with 20% glassfibre.

- 6060 T6 aluminium alloy profiles.

- Mechanism removable from hinge side after fixing.

**CERTIFICATIONS:** - Sound insulation of up to 37 dB certified by Istituto Giordano (Bellaria).

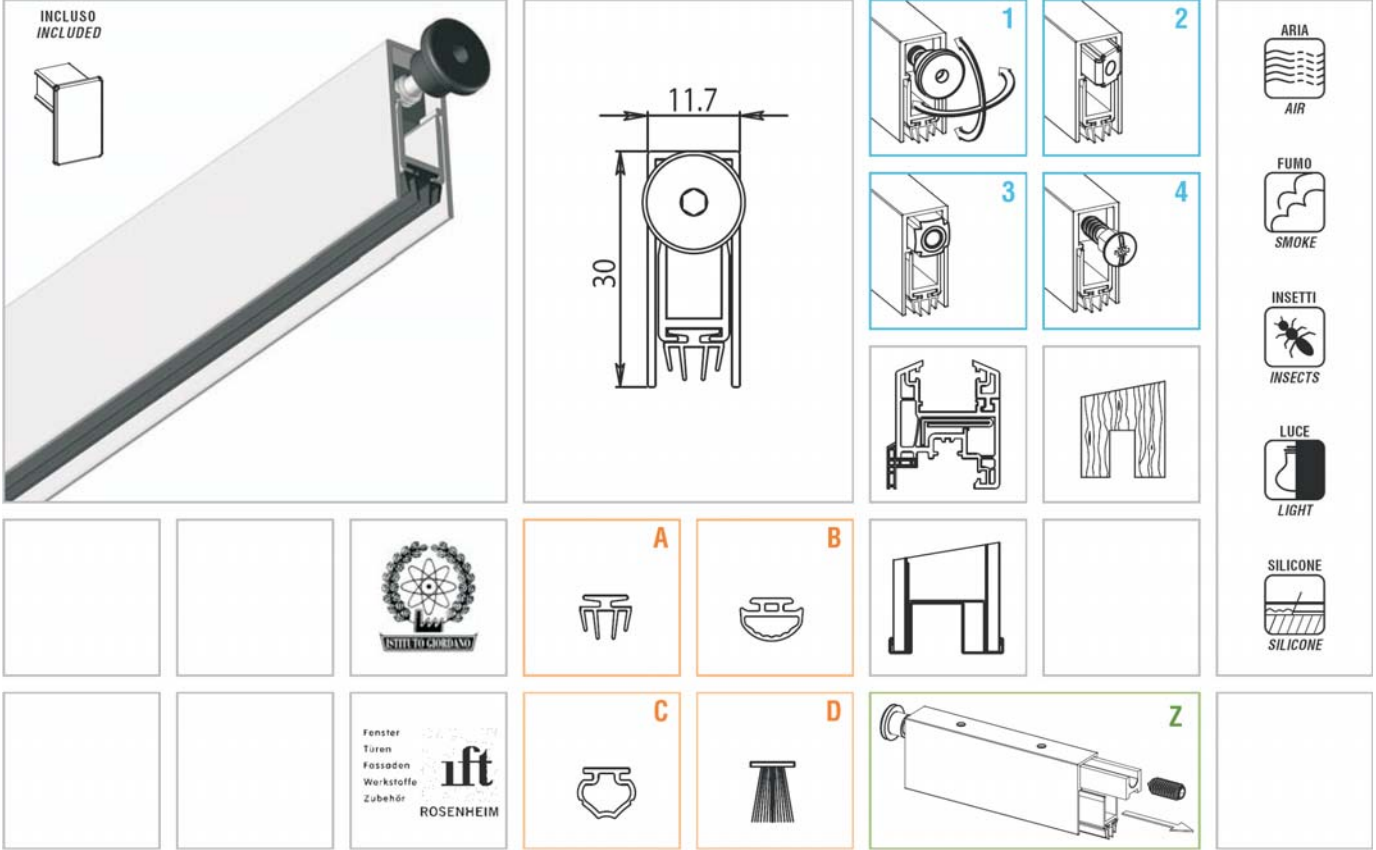
- Tested to 200,000 closing cycles by the IFT Rosenheim certification organisation.

**OPTIONAL:** Z - Mechanism removable from both hinge and lock sides (patented system).

3

SFILABLE 12 X 30

EASY



 **CODE: ASGSFI**

**APPLICATION:** PVC doors, timber doors, security doors.

**LENGTHS:** 330 - 430 - 530 - 630 - 730 - 830 - 930 - 1030 - 1130 - 1230 - 1330 - 1430 - 1530 - 1630 - 1730 - 1830 mm.

**TRIMMING LENGTHS:** 200 mm side opposite plunger.

**FIXING TYPE:** With preassembled woodscrews or self-tapping screws.

**PLUNGER AND ADJUSTMENT TYPE:** 1 - Self-directing articulated metal plunger with nylon cap, adjustable with a 3 mm Allen wrench.

2 - Nylon plunger for lock side operation, adjustable with a 3 mm Allen wrench.

3 - Square section nylon plunger, adjustable with a 3 mm Allen wrench.

4 - Steel plunger, adjustable with crosshead screwdriver, slotted screwdriver, and 6 mm spanner.

**SEALS:** A - 4 fins in coextruded self-extinguishing PVC.

B - Balloon in self-extinguishing silicone.

C - Coextruded tubular seal in self-extinguishing PVC or TPE.

D - Brush made of silicone oil-impregnated polypropylene.

**TECHNICAL CHARACTERISTICS:**

- Graduated scissor action (seal drops on hinge side before lock side).

- 14 mm maximum drop.

- Galvanised steel flat springs and actuators in PA reinforced with 20% glassfibre.

- 6060 T6 aluminium alloy profiles.

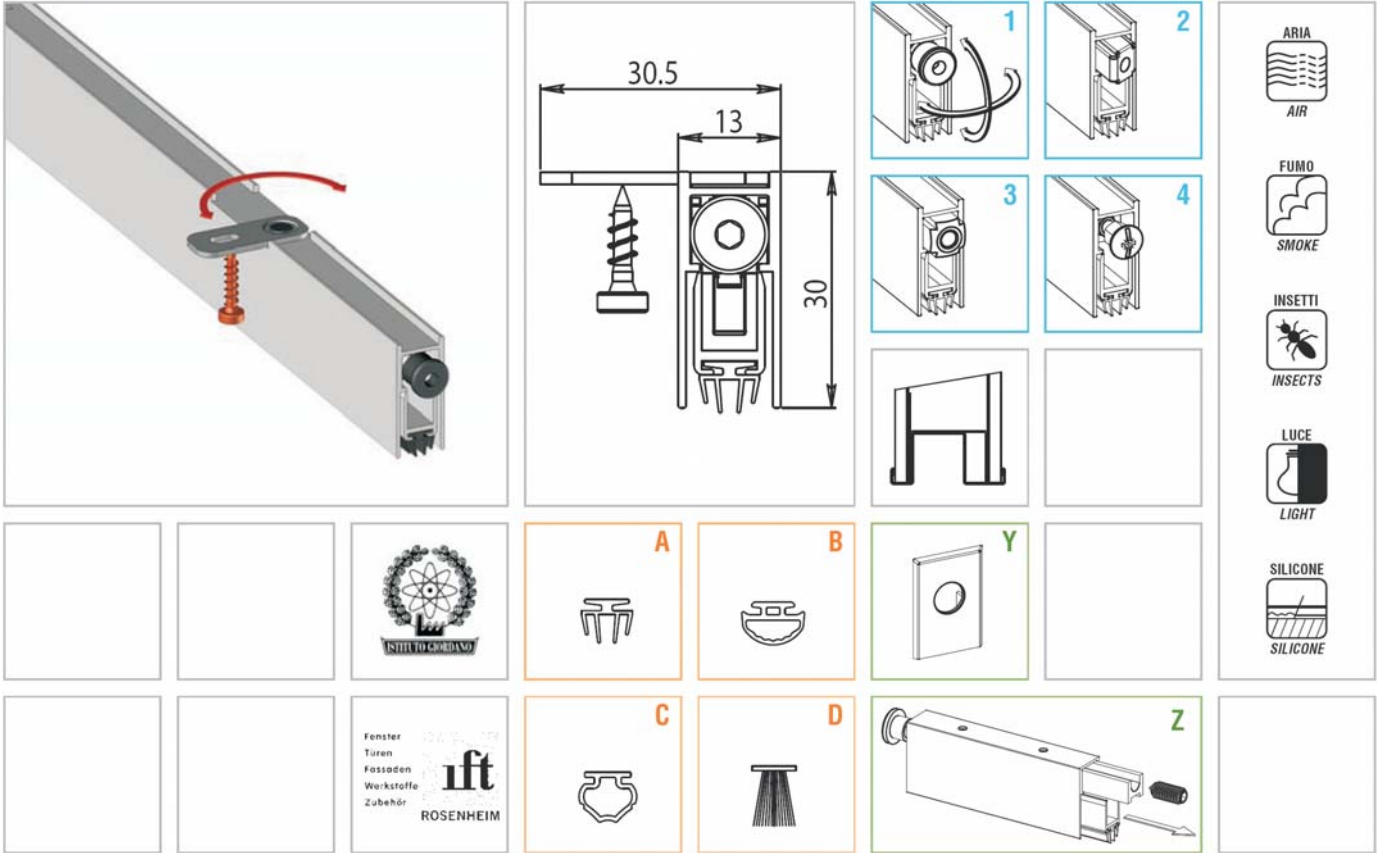
- Mechanism removable from hinge side after fixing.

**CERTIFICATIONS:** - Sound insulation of up to 37 dB certified by Istituto Giordano (Bellaria).

- Tested to 200,000 closing cycles by the IFT Rosenheim certification organisation.

**OPTIONAL:** Z - Mechanism removable from both hinge and lock sides (patented system).

4



 **CODE: ASRES**

**APPLICATION:** Security Doors.

**LENGTHS:** 330 - 430 - 530 - 630 - 730 - 830 - 930 - 1030 - 1130 - 1230 - 1330 - 1430 - 1530 - 1630 - 1730 - 1830 mm.

**TRIMMING LENGTHS:** 150 mm side opposite plunger.

**FIXING TYPE:** With screws (not supplied) on pivoting flange (patented).

**PLUNGER AND ADJUSTMENT TYPE:** 1 - Self-directing articulated metal plunger with nylon cap, adjustable with a 3 mm Allen wrench.

2 - Nylon plunger for lock side operation, adjustable with a 3 mm Allen wrench.

3 - Square section nylon plunger, adjustable with a 3 mm Allen wrench.

4 - Steel plunger, adjustable with crosshead screwdriver, slotted screwdriver, and 6 mm spanner.

**SEALS:** A - 4 fins in coextruded self-extinguishing PVC.

B - Balloon in self-extinguishing silicone.

C - Coextruded tubular seal in self-extinguishing PVC or TPE.

D - Brush made of silicone oil-impregnated polypropylene.

**TECHNICAL CHARACTERISTICS:**

- Graduated scissor action (seal drops on hinge side before lock side).

- 14 mm maximum drop.

- Galvanised steel flat springs and actuators in PA reinforced with 20% glassfibre.

- 6060 T6 aluminium alloy profiles.

- Mechanism removable from hinge side after fixing.

**CERTIFICATIONS:** - Sound insulation of up to 37 dB certified by Istituto Giordano (Bellaria).

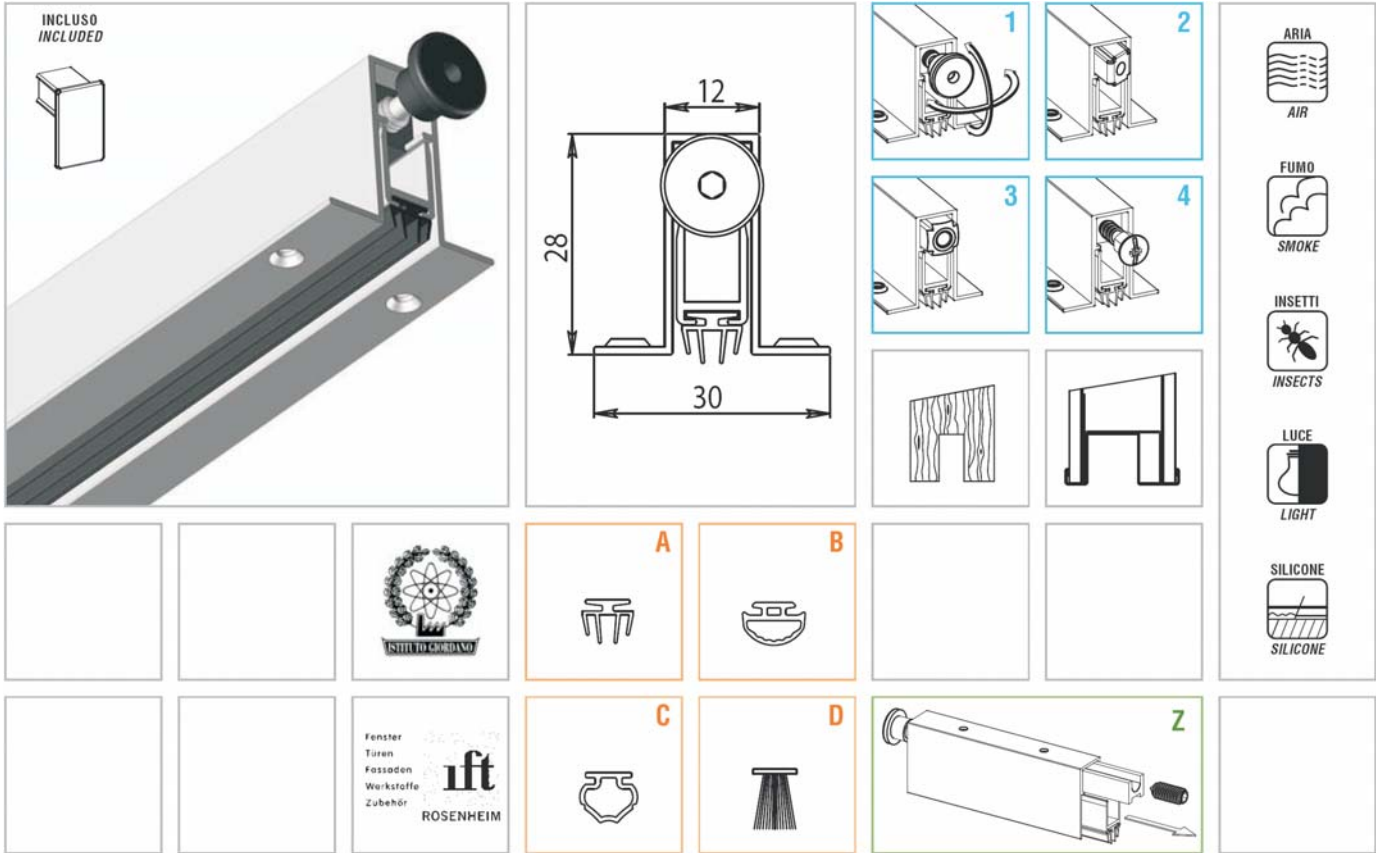
- Tested to 200,000 closing cycles by the IFT Rosenheim certification organisation.

**OPTIONAL:** Z - Mechanism removable from both hinge and lock sides (patented system). Y - Closing plug at hinge side.

# ModCON ALETTE

afk  
Yapı Elemanları

EASY



 **CODE: ASAL**

**APPLICATION:** Timber doors, security doors.

**LENGTHS:** 330 - 430 - 530 - 630 - 730 - 830 - 930 - 1030 - 1130 - 1230 - 1330 - 1430 - 1530 - 1630 - 1730 - 1830 mm.

**TRIMMING LENGTHS:** 200 mm side opposite plunger.

**FIXING TYPE:** With screws (supplied).

**PLUNGER AND ADJUSTMENT TYPE:** 1 - Self-directing articulated metal plunger with nylon cap, adjustable with a 3 mm Allen wrench.

2 - Nylon plunger for lock side operation, adjustable with a 3 mm Allen wrench.

3 - Square section nylon plunger, adjustable with a 3 mm Allen wrench.

4 - Steel plunger, adjustable with crosshead screwdriver, slotted screwdriver, and 6 mm spanner.

**SEALS:** A - 4 fins in coextruded self-extinguishing PVC.

B - Balloon in self-extinguishing silicone.

C - Coextruded tubular seal in self-extinguishing PVC or TPE.

D - Brush made of silicone oil-impregnated polypropylene.

**TECHNICAL CHARACTERISTICS:**

- Graduated scissor action (seal drops on hinge side before lock side).

- 14 mm maximum drop.

- Galvanised steel flat springs and actuators in PA reinforced with 20% glassfibre.

- 6060 T6 aluminium alloy profiles.

- Mechanism removable from hinge side after fixing.

**CERTIFICATIONS:** - Sound insulation of up to 37 dB certified by Istituto Giordano (Bellaria).

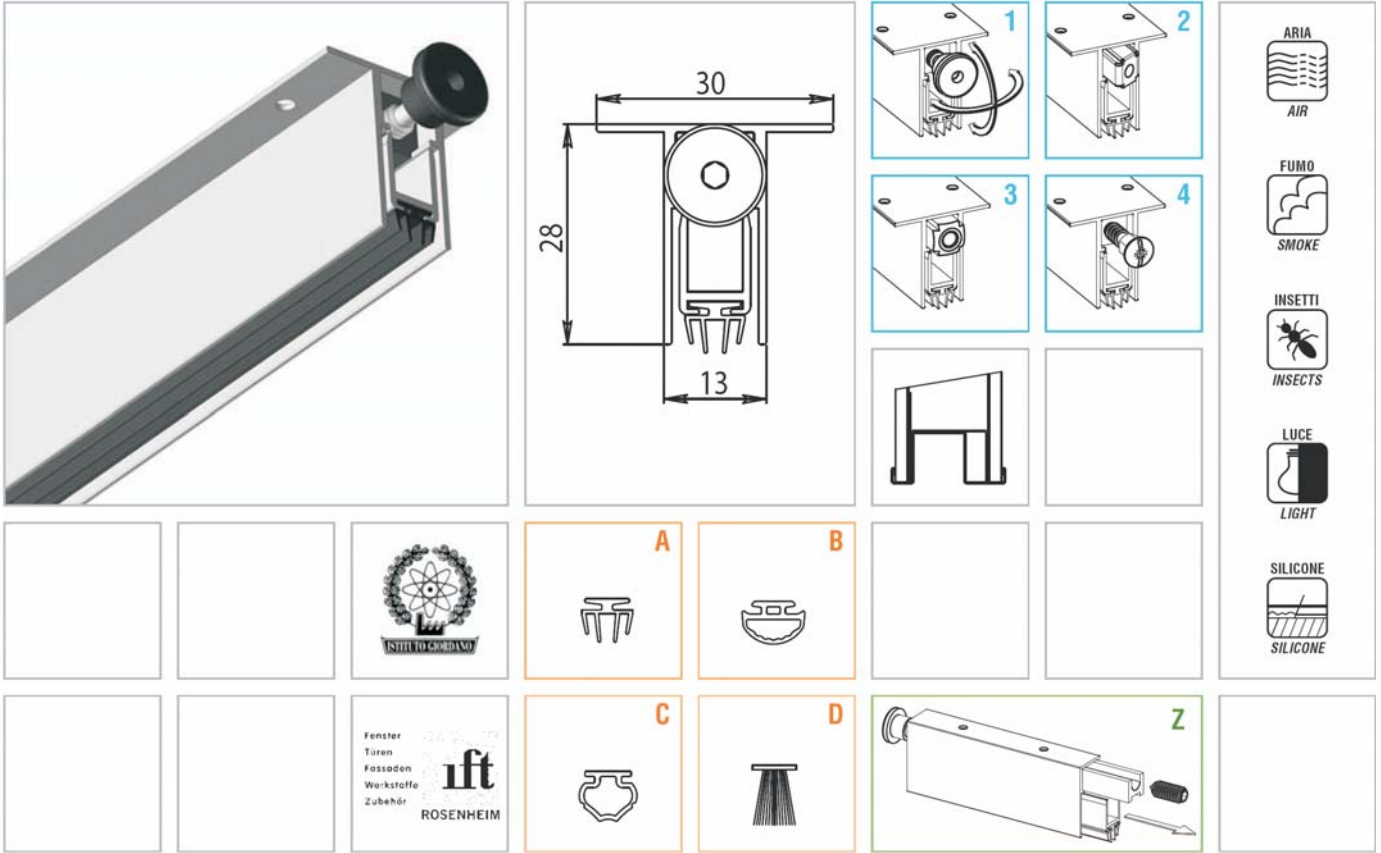
- Tested to 200,000 closing cycles by the IFT Rosenheim certification organisation.

**OPTIONAL:** Z - Mechanism removable from both hinge and lock sides (patented system).

6

# Mod CON ALETTE SPEC AL

afk  
Yapı Elemanları  
EASY



 **CODE: ASALS**

**APPLICATION:** Security Doors.

**LENGTHS:** 330 - 430 - 530 - 630 - 730 - 830 - 930 - 1030 - 1130 - 1230 - 1330 - 1430 - 1530 - 1630 - 1730 - 1830 mm.

**TRIMMING LENGTHS:** 150 mm side opposite plunger.

**FIXING TYPE:** With screws (not supplied).

**PLUNGER AND ADJUSTMENT TYPE:** 1 - Self-directing articulated metal plunger with nylon cap, adjustable with a 3 mm Allen wrench.

2 - Nylon plunger for lock side operation, adjustable with a 3 mm Allen wrench.

3 - Square section nylon plunger, adjustable with a 3 mm Allen wrench.

4 - Steel plunger, adjustable with crosshead screwdriver, slotted screwdriver, and 6 mm spanner.

**SEALS:** A - 4 fins in coextruded self-extinguishing PVC.

B - Balloon in self-extinguishing silicone.

C - Coextruded tubular seal in self-extinguishing PVC or TPE.

D - Brush made of silicone oil-impregnated polypropylene.

#### TECHNICAL CHARACTERISTICS:

- Graduated scissor action (seal drops on hinge side before lock side).

- 14 mm maximum drop.

- Galvanised steel flat springs and actuators in PA reinforced with 20% glassfibre.

- 6060 T6 aluminium alloy profiles.

- Mechanism removable from hinge side after fixing.

**CERTIFICATIONS:** - Sound insulation of up to 37 dB certified by Istituto Giordano (Bellaria).

- Tested to 200,000 closing cycles by the IFT Rosenheim certification organisation.

**OPTIONAL:** Z - Mechanism removable from both hinge and lock sides (patented system).

7

